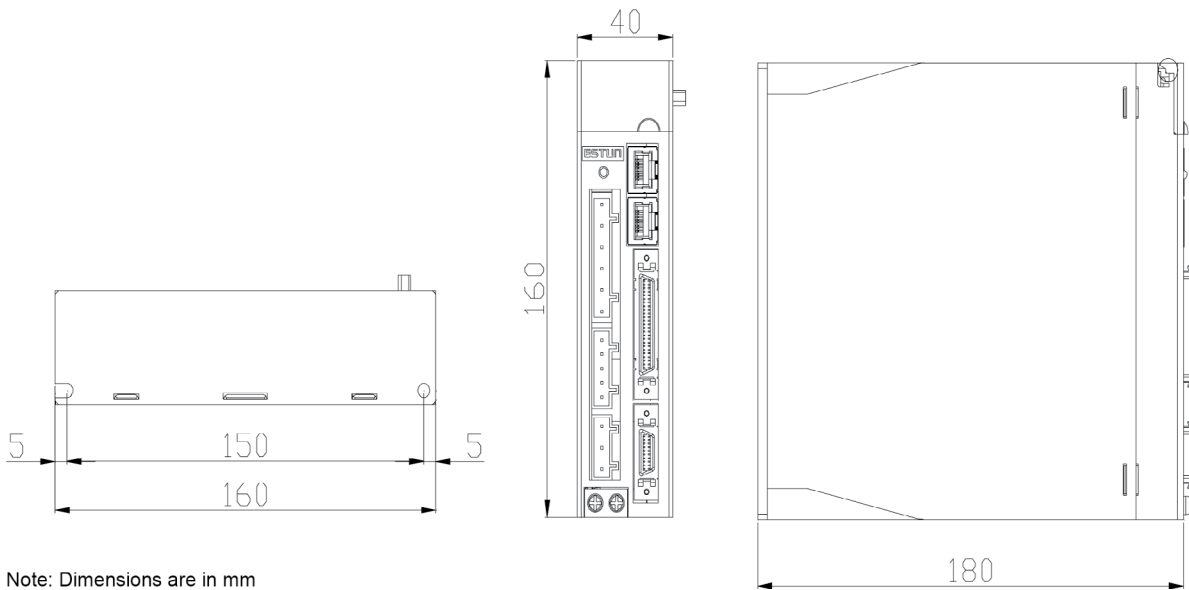


- **Wire-Saving Incremental Encoder**
- **Rated Power 50 Watts**
- **200 VAC Power Voltage**
- **Standard Communication: CANopen**
- **2500 Pulses Per Revolution**
- **CE Certified**

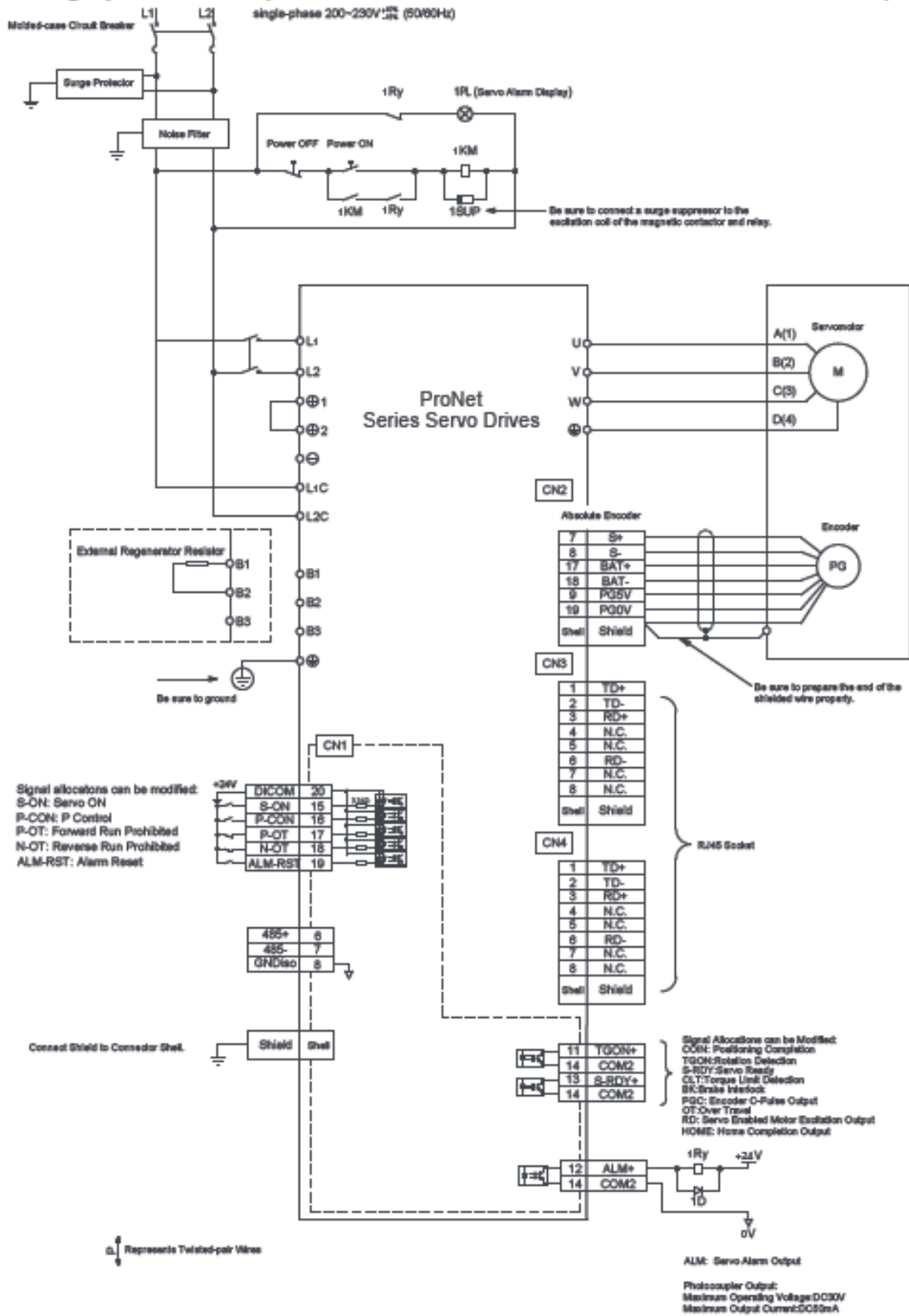


The EtherCAT is an open network based on Ethernet to achieve real time control. It is capable of supporting high speed and synchronized control. The efficient network topology allows the network structure with too many concentrator and complicated connections to be avoided. It's suited for protocol in motion control and factory automation applications. With the EtherCAT slave device it can read the data marked with the devices address information when the frame passes this device. Some data will be written into the when it passes this device. Because of this data reading and data writing could be done within several nanoseconds.



Item	Rated Power (Watts)	Rated Voltage	Drive Control Capabilities	COMM	I/O Signals
PRONET-E-A5A	50	200VAC	Position, Speed, Torque	EtherCAT	8 Inputs 4 Outputs

L011511



L011511